

The Good Word

A monthly newsletter of Trinity United Methodist Church

Volume 11, Issue 11

November, 2011

Come & See ...

SHALOM to you...
Missions of the Month
Children & Youth News
Give Praise Puzzle
UMW News
New Bible Studies
Advent News
Poinsettia Order Form
Memorials
"Keep the Fork"
Thanks Trinity
Those Who Serve
We Care/Prayer List
Events/Birthdays
Sunday School
Opportunities

... Go & Tell



*Open Hearts,
Open Minds,
& Open Doors.*

Happy Thanksgiving



You shall
eat your fill and bless the
LORD your God for the
good land that he has
given you.

Deuteronomy 8:10

SHALOM to you...

The liturgical year comes to a close in only three Sundays in November. During these first three Sundays, we will observe All Saints' Sunday on November 6 and Christ the King Sunday on November 20, before entering into the season of Advent.



All Saints Sunday is always a very special time in the life of the local church and the church universal. On this Sunday, we are reminded that the church is a community and a “communion.” This communion is made up of the living and those local to us, but also of those who have died and gone on before us. It is the day we celebrate the fact that nothing can separate us from the love in Christ Jesus, not even death. Nothing can divide us from the body of Christ, not even death, because Christ conquered death and reigns victorious.

On Sunday, November 6, we will commemorate those who have died and what God has done through them. “When the church praises the saints, it praises God...who has triumphed through them. Those who are still in the church on earth are supported and encouraged by the fellowship of a throng of witnesses, who fought their way with effort and pain, and who now in the company of the redeemed are watching and supporting the church on earth in its present struggle.” (Philip Pfatteicher) The families of the members of Trinity United Methodist Church, who have died since last All Saints' Day, have been contacted by written invitation to attend this service in which their loved ones will be remembered.

All Saints' Sunday has a dual focus. While we remember those who have died during the last year, we also remember those who have died in previous years. This year there is an opportunity to place white *Roses of Remembrance* in the sanctuary in memory of other special saints. These names will be listed on a *Roses of Remembrance* insert in the bulletin. Please remember to have these names turned into the office no later than October 31st. We will celebrate the gift of all these special lives and their faithful witness. As we offer our thanks that through them, God acted mightily, we will sing together the sturdy and beautiful hymn, “For all the saints, who from their labors rest, who thee by faith before the world confessed, thy name, O Jesus, be forever blest. Alleluia, Alleluia!”

On November 27, we enter into the new Christian (Church/liturgical) year opening the season of Advent. The word “Advent” means “coming” in Latin. It refers to the coming of Jesus, which we celebrate during the Christmas season, and to the ultimate fulfillment of God's promise. It reminds us that the Christian life always faces the future that God is bringing and our faces are always turned toward the radiant light of hope of God.

The themes of Advent are waiting, hoping and anticipating. The liturgical color is blue – the color of hope. These themes are reflected in the symbols of Advent including the wreath and the lighting of a total of five candles on the wreath. One candle is lighted for each of the season's four Sundays (of hope) and the center larger white candle is the Paschal (Christ) candle.

Advent is a time we focus on the ongoing relationship with God called a *covenant*. Advent reminds us that God keeps God's promises, but also that God surprises us. The gifts we receive from God are so often greater than anything we could have thought of ourselves. The greatest gift is the gift of our Savior, Jesus Christ. His physical entrance into this world was a surprise. Especially during Advent, we are again reminded that the prophet Isaiah envisioned the coming of this Savior in the birth of a child. Centuries later God fulfilled the promise of a Savior's birth, but not the way it was anticipated or expected. Instead of a powerful, wealthy military ruler, he was a poor man, an itinerate preacher/teacher, who died on a cross for us and was resurrected.

Join with us ecumenically during the four Mondays for the Advent Services and Lunches. Invite your family, friends, and neighbors to join us as we come together in community and “communion” of the saints.

The month of November is an exciting time. Thank you for being a faithful part of this holy “communion.”

Shalom to you,

Sandra

Missions of the Month

"The King will reply, 'I tell you the truth, whatever you did for one of the least of these brothers of mine, you did for me.'"

Matthew 25:40



Friendship Medical Clinic & Pharmacy provides basic, primary medical care and medications to low-income and underserved adults in Horry County who have no access to medical insurance. The clinic provides

direction, education and encouragement relating to patient health. We believe that in providing this service, we are improving quality of life, which creates in turn an economically and socially enriched Horry County for all residents.

How You Can Help

There are many ways that you can help Friendship Medical Clinic & Pharmacy. Whether you are volunteering your time or skills, filling up our supply closet or supporting our work with monetary donations, please know that we could not and would not exist without your help. By supporting our work, volunteers and donors can help save lives everyday!

This is a "wish list" for items commonly needed in our clinic:

- Paper towels and toilet paper
- Hand sanitizers, liquid hand soap
- Napkins, paper plates, plastic forks, knives, spoons
- 13 gallon size, white, garbage bags
- Kleenex
- Unopened pharmaceuticals
- Drug samples that are not expired
- Office supplies such as: copy paper (we use lots of copy paper), pens, paper clips, black or red magic markers, pencils
- New coloring books, new crayons, and children's books for our children's corner in the waiting room
- \$10 grocery store reward gift cards for nurses to give patients as door prizes to those losing the most weight

Here is a brief "wish list" of items that we keep in the waiting room to give to our patients:

- Small household items: pots and pans, dishes
- Washed clothing and shoes
- Washed sheets and towels, blankets
- Washed clothing for kids
- Canned foods
- Toys if not broken
- Children's books if in good condition

Please make checks payable to Trinity and mark them for Friendship Medical Clinic. If you wish to donate any items listed, please bring them by the church office.

Operation Christmas Child



Boxes are due in the church office by Monday, November 7th

Christmas is just around the corner, and we still need **\$25 Walmart or Target gift cards** for our children who call Epworth home.

Our goal is 100 cards and we still need **36**. If you prefer, you may make a monetary donation and the cards will be purchased for you.

Thank you for continuing to contribute to the lives of these our children.

Epworth Gift Cards



Sh!!!!

It's almost time for Santa's Secret Workshop.

Preparations are underway for our annual Santa's Secret Workshop which will be held on Saturday, December 10, at 6:00 PM. We need volunteers to help lead seven crafts.



Please call the church office as soon as possible to volunteer, or call Sarah at 399-4894.

Do you like to eat out? Do you like to save money? Trinity's UMYF has just the thing for you!!

We are proud to offer you the new 2012 edition of the Attractions Dining and Value Guide! The Attractions book is a money saving coupon book with thousands of dollars in BUY ONE GET ONE FREE and discount coupons from the area's best restaurants and retailers! Using 2 or 3 coupons at your favorite restaurants and stores will easily pay for the book and save you hundreds of dollars or more. Valid NOW through December 31, 2012!

Each book is just **\$20.00** and can be purchased from any UMYF-er or contact Sarah to get your copy.

Attractions books make great holiday and birthday gifts.

The Gift Goes On!



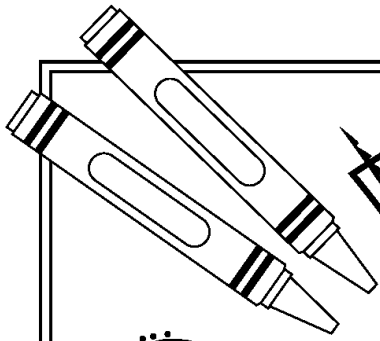
Join us in worship on **December 4** as the members of the **Big Fish/Little Fish Club** present "The Great Christmas Giveaway."

Attractions
Dining and Value Guide

Makes a Great Gift!

- Buy One Get One Free Coupons
- Thousands Of \$\$\$ In Savings
- Local Restaurants And National Retailers
- Start Saving NOW!

Available Here!



PUZZLE

Give Praise

Solve this puzzle to read a Bible verse about praising God for all his blessings.

Directions: In each group, underline the word that doesn't belong. Then write the underlined words on the lines below.

- | | | | | | |
|---------------------------|-----------------------------|---------------------------------------|--------------------------------|------------------------|----------------------------|
| 1. Give
Take
Grab | 2. peanut
praise
pear | 3. temple
house
LORD | 4. proclaim
past
present | 5. name
boy
lad | 6. ruin
destroy
make |
| 7. pine
acorn
known | 8. train
nations
bus | 9. done
donut
muffin | 10. Sing
Sleep
Yawn | 11. she
him
girl | 12. sun
praise
moon |
| 13. tell
fast
slow | 14. red
all
blue | 15. horrible
dreadful
wonderful | 16. acts
sisters
aunts | | |

" _____ to the _____ , _____ his _____ ;
 _____ among the _____ what he has _____ .
 _____ to _____ , sing _____ to him; _____ of _____ his
 _____ . " PSALM 105:1-2, NIV

Answers: 1. Give, 2. praise, 3. LORD, 4. proclaim, 5. name, 6. make,
 7. known, 8. nations, 9. done, 10. Sing, 11. him, 12. praise, 13. tell, 14. all,
 15. wonderful, 16. acts
 Give praise to the LORD, proclaim his name; make known among the
 nations what he has done. Sing to him, sing praise to him; tell of all his
 wonderful acts. (Psalm 105:1-2, NIV)



2012 Conference Officers' Training

Training for all new and returning district officers of United Methodist Women in the South Carolina Conference for the year 2012 will be on Saturday, November 5, 2011, at Mt. Hebron United Methodist Church on 3050 Leaphart Road, West Columbia, SC.

UMW Bulletin Board

UMW has a bulletin board that we share with other news in the hallway near the parlor. FORMS and UMW info will be available there.

No Time to Cook?

Let us do your holiday baking!

The Sunshine Circle will bake your favorite cakes or pies (using your special recipe, or ours) for your holiday table—\$25 for a cake or \$25 for 3 pies. We will deliver!



Contact Linda Gainey at 488-0038 to place your order for your Thanksgiving and Christmas desserts.

PIC—"Paperbacks in Cells"-We are collecting paperbacks during November for J. Reuben Long Correction Center. Novels, rhyming word books, books in Spanish, dictionaries, etc. would be greatly appreciated. Only paperback books can be used and **NO hardback books, books with staples, Bibles, newspapers, magazines, or puzzles.** Please place paperbacks in the designated box in the hallway near the church office.

Participate in the Reading Program, read Response Magazine, and use the Prayer Calendar

Subscribe today to **Response Journal**, the Voice of Women in Mission, features dynamic articles and photographs that tell the mission story of the United Methodist Women. You will be inspired, affirmed, and challenged in your walk as a disciple of Jesus Christ. You may order by mail or by phone. By mail- Response, Magazines with a Mission, PO Box 395, Congers, NY 10920-0395 By Telephone: 1-877-881-2385 (Toll-Free) or Fax: 1-845-267-3478

Fundraisers. Trinity United Methodist Women will be engaged in a variety of fundraisers for missions from October to the end of January. Each of the four circles will be planning its own fundraiser in order to reach our goal.

Trinity United Methodist Women RECEIVED AWARDS

Trinity United Methodist Women received several awards at the Marion District United Methodist Women Annual Meeting on Oct. 8th in Latta. These awards were Mission Today, Five Star Award, and Five Mission Unit, and the Diamond Unit .

Rainbow Woman offerings are due November 15 to Marti Hubbard to be announced at the Christmas program.

The Friendship Circle is taking pre-sale orders for Tervis Tumblers. It is NOT necessary to reserve your order, but it is helpful in securing your preferred choices.

16 oz. ~ \$15
10 oz. ~ \$12
All Tops ~ \$2.50

16 oz. with Cross & Flame AND TUMC
10 oz. with Cross & Flame AND TUMC

16 oz. with Cross & Flame ONLY

16 oz. Clear Tops with Straws
16 oz. Red Coffee Tops
10 oz. Red "Sippie" Tops

Contact Kellah Webster or a member of the FRIENDSHIP CIRCLE.

tervis



Invite friends to our circle meetings.

Friendship Circle

Monday, November 7
7:00 PM

Hostess: Brooke Howle
Program: Sarah Branyon

Betty Goldfinch Circle

Monday, November 7
7:00 PM

Senior High Classroom
Hostess: Linda Boyd
Program: Chrismons

Bunnie Butler Circle

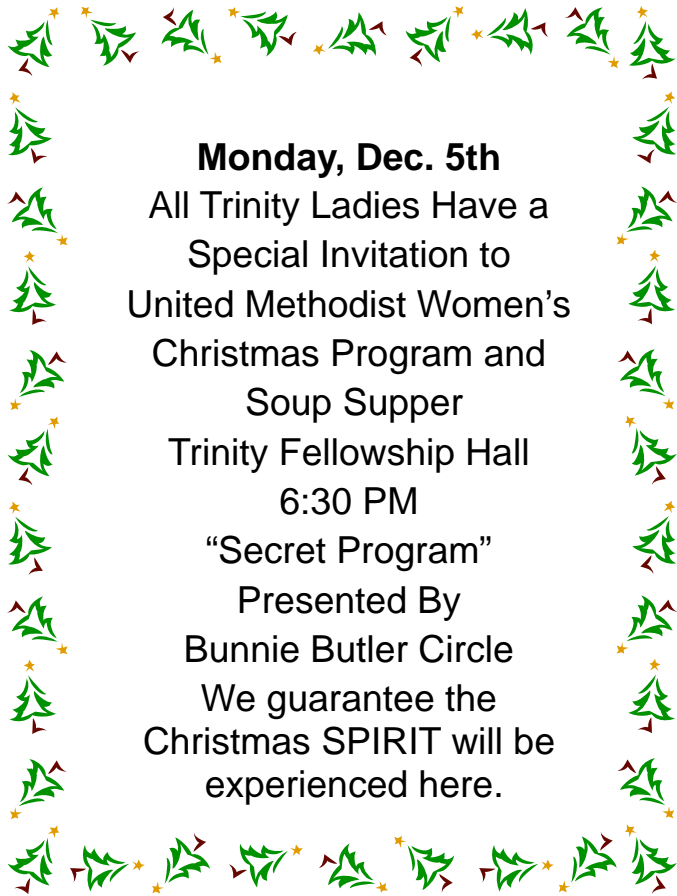
Tuesday, November 8
8:30 AM

Cordie Page FLC
Program: Jo Rush

Sunshine Circle

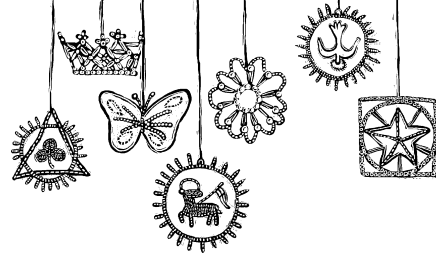
Sunday, November 13
1:30 PM

Hostess: Jerri Woodlee
Program: Chrismons



Monday, Dec. 5th
 All Trinity Ladies Have a
 Special Invitation to
 United Methodist Women's
 Christmas Program and
 Soup Supper
 Trinity Fellowship Hall
 6:30 PM
 "Secret Program"
 Presented By
 Bunnie Butler Circle
 We guarantee the
 Christmas SPIRIT will be
 experienced here.

CHRISMONS



This year our Chrismon Ornament Committee will be focusing on making new, small ornaments for our beautiful trees. There will be two wonderful opportunities to be involved. The Betty Goldfinch Circle will meet in the High School classroom on November 7, at 7:00pm, and will be making new ornaments. Then on November 13, at 1:30pm, the Sunshine Circle will meet at the home of Jerri Woodle, to work on ornaments as well. These are the regularly scheduled meetings for the two circles. Both circles would love to have you come visit, come work, and come eat!!!!

New Beth Moore Bible Study— James: Mercy Triumphs



James, Jesus' own brother, started out as a skeptic. See how one glimpse of the resurrected Savior turned an unbeliever into a disciple. Bible scholars compare James to the prophet Amos. In other ways, James more closely resembles the Book of Proverbs than any other New Testament book. Topics in this 8-week study include: joy, hardship, faith, reversal of fortunes for rich and poor, wisdom, gifts from above, single-mindedness, the dangers of the tongue, humility, and prayer.

We will have two opportunities to participate in this study on Tuesdays, beginning in January. To sign up for the Tuesday morning study, please contact Nancy Anderson at 397-5206. For the Tuesday evening study, please call the church office to sign up.

Bulletin Board Facelift

Our "We Care Shepherding Prayer List" includes a section in which we list those serving in the Armed Forces. We are so grateful for their service to this country and to us. As you know, we currently have posted some photographs of family members serving in the military, and we thank you for sharing those with us. We would like to have photos of others who are serving, for whom we pray as well. It is nice to be able to "see" their faces as we remember them. Please leave the photographs with Carolyn or Sandra in the church office.





Advent/Christmas Worship Schedule

Beginning November 27, the first Sunday of Advent, we will have a combined worship service in the sanctuary at 10:30 am. Sunday School classes will meet at 9:30. These changes will begin on November 27 and run through January 8. Adjust your calendars and make plans to join us as we celebrate the Advent and Christmas season together.

Beginning November 27
Sunday School
9:30 am
Combined Worship
10:30 am

December 4—8:30 a.m. Advent Breakfast
10:30 a.m. “The Great Christmas Giveaway” children’s program

December 11—11:30 a.m. Chancel Choir Cantata



2011 Advent Luncheons

Mondays
12 Noon—1:00 PM

November 28

Host: Kingston Presbyterian Church
Speaker: The Reverend Dr. Bob Guffey
of First Baptist Church

December 5

Host: First United Methodist Church
Speaker: Father Tripp Jeffords
of St. Paul’s Episcopal Church

December 12

Host: First Baptist Church
Speaker: The Reverend Mac Kinnett
of First United Methodist Church

December 19

Host: St. Paul’s Episcopal Church
Speaker: The Reverend Rhett Talbert
of Kingston Presbyterian Church

Coordinated by Trinity United Methodist Church

Memorials

Given in memory of...

Sylvia Reddick

Mr. & Mrs. Don Whetstone
Elizabeth L. Lane

Patsy Pedings

Mr. & Mrs. Weston Stevens, Jr.

Lib Altman Cannon

Mr. & Mrs. Henry L. Davis

Ralph Johnson

Mr. & Mrs. Henry L. Davis
James W. Webb, Jr.
Mr. & Mrs. John T. Henry
Dr. & Mrs. Richard Eisenman
Mr. & Mrs. Wendell Hinson
Mr. & Mrs. Joe Hudson

George Hunsucker

Mr. & Mrs. John T. Henry

Ed Holley

Rev. & Mrs. Gene Norris
Mr. & Mrs. Joe Hudson
Mr. & Mrs. John C. Winn
Susquehannock HS Class of
1977
Mr. & Mrs. Wayne Hill

Johnny Creel

Mr. & Mrs. Jimmy L. Jones

Neita & Percy Inabnit

Mr. & Mrs. John L. Denny

Patrick Henry

Mr. & Mrs. Pat Henry



Attention: Landscape Committee Members

We will be planting and beautifying the church grounds on October 31-November 2 (Monday, Tuesday, Wednesday). Please let me know when you can come.

We invite anyone who would like to help to come join us.

Also, anyone who would like to be a committee member should let me know as the schedule for 2012 will be made up soon.

Thanks,
Janet Howle
365-6667

2011 Poinsettia Order Form



Poinsettias will again be adorning our altar during the Advent season. Please complete the form below and return it, *along with your check for \$16.00 per plant, made payable to Trinity United Methodist Church*, no later than Sunday, November 6, if you wish to place a poinsettia on the altar. Please, one name per plant, **either** in memory of **or** in honor of a loved one. You may also make a contribution to missions in honor of **or** in memory of a loved one if you do not wish to purchase a poinsettia.

GIVEN BY: _____

_____ In honor of: _____

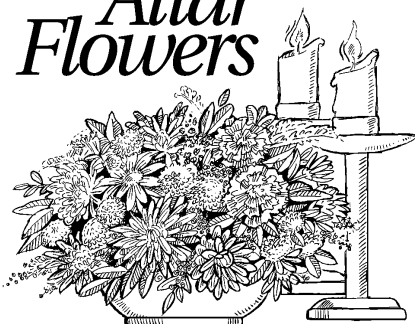
_____ In memory of: _____
(check 1 of the above)

_____ This is for a poinsettia

_____ This is for a mission contribution

Remember: **Reservations for plants and your check for \$16.00 made payable to Trinity United Methodist Church, are due in the Church Office no later than Sunday, November 6, 2010.** You may pick up your plant(s) after the 10:30 AM Christmas Day worship service.

Altar Flowers



2012 Flower Calendar

It's time to fill our church flower calendar for 2012. If your heart leads you to honor someone or to put flowers in memory of a loved one on a special Sunday, please call Jo Rush at 248-2438.

The church flowers are provided by The Daisy Fair of Conway. Altar flowers for 2012 will be \$55.00 for the two arrangements that are placed in the Chancel area. Flowers for the 9:00 AM service are \$30.00.

If the date you desire is taken for Altar flowers, an arrangement can be placed in the narthex for your special one for \$30.00.

A Note From Staff Pastor Parish Committee



We are writing to request a love gift from the members of Trinity for our staff. Sandra, Sarah, Carolyn, Andy, and John Brown have done a great job during 2011.

We know you will want to join with us in showing our appreciation at this special time of the year. You may place your gift in the offering plate, drop it by the church office, or mail it to Trinity, 198 Long Avenue, Conway, SC 29526.

CAP 25th Anniversary

Where: Churches Assisting People
206 Main St., Conway

When: Sunday, November 13, 1-3 pm

For: OPEN HOUSE with light refreshments

Why: To celebrate 25 years of assisting greater Conway. Come appreciate the work of United Way's Day of Caring.

Who: Everyone!

Drop in: Bring canned food





Sunday, November 13

3:00-6:00

"Strut your Colors" tailgate party

**Food, fellowship, fun and games for
ages 0—100+**

**Wear your favorite team colors and bring tailgate type
sides and desserts.**

The church will provide the meat.

The South Carolina United Methodist Conference

COMMENDS

for outstanding Stewardship

*Trinity / Conway
United Methodist Church*

**for
Paying 100% of all apportioned funds
for the Conference Year**

2 0 1 0



May Virginia Taylor
Bishop

Richard A. Knight
District Superintendent

Keep the Fork

Author Unknown
www.christianstories.com



The sound of Martha's voice on the other end of the telephone always brought a smile to Brother Jim's face. She was not only one of the oldest members of the congregation, but one of the most faithful. Aunt Martie, as all the children called her, just seemed to ooze faith, hope and love wherever she went.

"Preacher, could you stop by this afternoon? I need to talk with you."

"Of course. I'll be there around three. Is that okay?"

As they sat facing each other in the quiet of her small living room, Jim learned the reason for what he sensed in her voice. Martha shared the news that her doctor had just discovered a previously undetected tumor.

"He says I probably have six months to live." Martha's words were certainly serious, yet there was a definite calm about her.

"I'm so sorry to . . .", but before Jim could finish, Martha interrupted.

"Don't be. The Lord has been good. I have lived a long life and I'm ready to go. You know that."

"I know," Jim whispered with a reassuring nod.

"But I do want to talk with you about my funeral. I have been thinking about it, and there are things that I know I want."

The two talked quietly for a long time. They talked about Martha's favorite hymns, the passages of scripture that had meant so much to her through the years, and the many memories they shared from the five years Jim had been with Central Church.

When it seemed that they had covered just about everything, Aunt Martie paused, looked up at Jim with a twinkle in her eye, and then added, "One more thing, preacher. When they bury me, I want my old Bible in one hand and a fork in the other."

"A fork?" Jim was sure he had heard everything, but this caught him by surprise. "Why do you want to be buried with a fork?"

"I have been thinking about all of the church dinners and banquets that I attended through the years," she explained. "I couldn't begin to count them all. But one thing sticks in my mind. At those really nice get-togethers, when the meal was almost finished a server or maybe the hostess would come by to collect the dirty dishes. I can hear the words now. Sometimes, at the best ones, somebody would lean over my shoulder and whisper, 'you can keep your fork.' And do you know what that meant? Dessert was coming!"

"It didn't mean a cup of Jell-O or pudding or even a dish of ice cream. You don't need a fork for that. It meant the good stuff, like chocolate cake or cherry pie! When they told me I could keep my fork, I knew the best was yet to come! That's exactly what I want people to talk about at my funeral. Oh, they can talk about all the good times we had together. That would be nice. But when they walk by my casket and look at my pretty blue dress, I want them to turn to one another and say, 'Why the fork?'"

"I want you to tell them that I kept my fork because the best is yet to come.....Heaven."

**Your day is never so bad that it's beyond the reach of God's grace.
Your day is never so good that it's beyond the need for God's grace.**

THANKS TRINITY

Dear Rev. Sandra & Trinity Family,

Thank you so very much for all your prayers, phone calls, visits and food during Ed's illness and death. It was your special thoughtfulness that helped us get through the difficult days.

Your kindness will always be remembered.

Blessings,
Gerry Holley & family

Pastor Sandra & Members,

Thank you so very much for the retirement "send-off". Your warm words and prayers, as well as the gifts, touched our hearts and we are grateful. Please continue to keep us in your prayers as we go through many adjustments in our lives.

We love you all,
George & Marti Hubbard

Trinity Church Members,

My daughters and I wish to personally thank you for your thoughts and prayers for the past several years. The meals you provided for us were wonderful.

Julia, Brenna & Candace
Family of Ralph Johnson

To our Trinity Family,

Clay and I would like to thank all who sent cards, emails, and kind words to us on the occasion of our 25th anniversary! Thanks for the love!

Sarah & Clay

From: Kairos

On behalf of the Kairos team of Weekend #36, I would like to thank all of you who donated your time and efforts to bake cookies for the inmates at Evans Correctional in Bennettsville.

The weekend was a success. Eight of thirty-six men participating accepted Christ for the first time. Many others rededicated themselves and still others sought counseling with our pastors.

Thank you again. Trinity sent 181 dozen cookies and \$510. We have sown seeds. Now we let God do his work.

Jerry Sanders

Trinity UMC,

Thank you for sending The Good Word to us each month. We moved from Trinity and Conway in 2005 because of health problems. We still have an interest in your church and the people.

Rev. and Mrs. F. Barney Fowler

Hello to the Class-ICS class.

Dear Trinity VBS,

Thank you for supporting the ministry of Epworth Children's Home. This letter serves as an acknowledgement and receipt of your contribution of \$404.46 to Epworth on Thursday, September 1, 2011. Your gift will be used to provide direct care for the children who call Epworth home.

Sincerely,
The Rev. John E. Holler, Jr.

Dear Rev. Dr. Poirel & Trinity,

Thank you so much for the beautiful green and blue knitted blanket. It is just perfect and so special! Thank you so much for thinking of us during this exciting time. Rowe is almost one month old and doing very well. We will have him cozy and warm in the blanket this winter. I'd love to meet you soon. Thanks again.

Sincerely,
Ashley & George Magrath

Pastor Sandra and church family,

I would like to thank everyone for your cards, visits, and prayers throughout Derek's illness and as we welcomed baby Mallory home. Her blanket made by our Trinity sewers is beautiful and reminds me every day that our family has been blessed both by God's amazing grace and by the love you all have shown. May God bless each of you always.

Love,
Julie Strickland



Congratulations to Bryan Hopkins and Molly on placing second in the Great Loris Bog-Off in October.

THOSE WHO SERVE

At 11:00 A.M Traditional Service

November 6, 2011

Sound System: Bryan Hopkins
Greeters: Y'ALL Class
Ushers: Rick Morehouse, Reid Murdock, George Hubbard, Matt Reynolds
Acolyte/Crucifer: Anderson Davis/Jordyn Barnes
Count Committee on Monday: Jo Rush, Diane Fouquet
Nursery: Phyllis Eisenman
BIG News: Catherine Dingle, Cindy Harper
Flowers: 9:00-In honor of Lloyd & Virginia Davis, by Andy & Lisa Davis
11:00-In honor of Kellah & David Webster's wedding anniversary, by Lana & Bob Fortson
Landscape: Valerie Davis
Altar Guild: Genie Peterson, Beth Suggs

November 13, 2011

Sound System: Bryan Hopkins
Greeters: Joy Class
Ushers: Fred Richardson, Steve Robertson, Jerry Sanders, Kent Skipper
Acolyte/Crucifer: Taylor Reaves/Molly Hopkins
Count Committee on Monday: Genie Peterson, Carolyn Norris
Nursery: Peggy Christie
BIG News: Catherine Dingle, Cindy Harper
Flowers: 9:00 & 11:00-In loving memory of our son Patrick's birthday, by Marvis & Pat Henry
Landscape: Virginia Gantt
Altar Guild: Genie Peterson, Beth Suggs

November 20, 2011

Sound System: Bryan Hopkins
Greeters: Faith Class
Ushers: Bennie Allen, Don Freudiger, Mark Davis, John Stewart
Acolyte/Crucifer: Leigh Catherine Hewitt/Cassidy Hewitt
Count Committee on Monday: Mary Shellam Hill, Diane Fouquet
Nursery: BobbiDawn Inabnit
BIG News: Mandy Hewitt, Jill Feldner
Flowers: 9:00-
11:00- In celebration of our granddaughters, Catherine & Audrey, by Lana & Joe Hudson
Landscape: Carolyn Floyd
Altar Guild: Genie Peterson, Beth Suggs

November 27, 2011

Sound System: Bryan Hopkins
Greeters: Ladies Seekers Class
Ushers: David Jordan, John Lox, Kevin Covington, Billy Dillard
Acolyte/Crucifer: Manning Feldner/Tanner Guyton
Count Committee on Monday: Mary Cross, Marti Hubbard
Nursery: Ginger Jordan
BIG News: Mandy Hewitt, Jill Feldner
Flowers: 9:00-
11:00-In loving memory of Della Eisenman, Rich's mother, by Richard & Phyllis Eisenman
Landscape: Meredith Hyman
Altar Guild: Genie Peterson, Beth Suggs

**Interested in sharing your gifts and talents??
Please call the church office at 248-2194 to volunteer.**

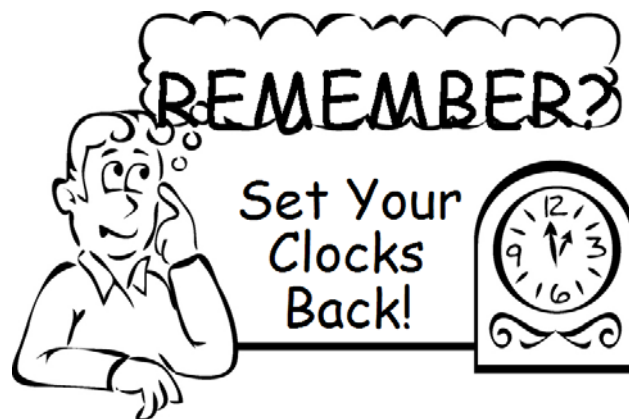
There's a place for you!!

Swap-n-Shop

Got something you need or would like to sell!! Drop the info off at the Church office and we will post it on Swap-n-Shop for three months!

Whirlpool Fridge for Sale: Side by Side , black, ice cube or crushed dispenser, water & light on outside, ice maker. 35" wide, 69" high, 30" deep, 36 months old. \$400.00.
Call 843-399-6925.

Adult Bicycle needed: Someone is in need of purchasing a *gently used* adult bicycle for a special needs male. If you have one available, please contact Sandra at 843-995-0623 or the church office.



Sunday, November 6



If you are missing dishes, please check the cabinet in the parlor kitchen and/or the rolling cart in the fellowship hall kitchen hallway.



WE CARE

Trinity's Prayer List

*Are there any among you sick?
They should call for the elders of
the church and have them pray over
them.*

James 5:14

Emeritus (347-3050)

872 Singleton Ridge Road, Conway 29526-1101

Sudie Payne (Room 407) 347-3926

Albertine Jordan (Room 108) 234-3272

Wildewood Downs (803-699-5359)

1001 Wildewood Downs Circle, Columbia 29223

Sarah Hendrick (Room 107-C)

803-699-5359

Anderson Oaks

997 Hwy 90, Conway, 29526

Patsy Oliver 347-0052

Rolling Green Village

3 Hoke Smith Blvd Greenville, SC 29615

Eloise Smith C-114 864-631-1123, 340-8804

Hidden Wood

50 Wellesley Drive, Newport News, VA 23606

Marti Hurtt (Apt. 129) 757-310-6573

Kingston Nursing Center

James Goldfinch (Room 178)

Home Bound:

Dot Hook—248-5425

1006 Buck St.,

Conway, SC 29526-4119

Betty Peterson—407-275-3833

c/o Evelyn Dunn, 14532 Gainsborough Dr.,

Orlando, FL 32826-4002

Lillian Prohaska—248-7098

2501 Oak St. Ext, Apt. E-1,

Conway, SC 29526

Nita Brown—248-2923

901 Main Street

Conway, SC 29526-4064

Edgar Johnson—803-407-7988

c/o Paula Wise, 411 Kings Creek Rd,

Irmo, SC 29065

Grace Johnson—365-3639

4196 Hwy. 319E,

Conway, SC 29526

Ken Spivey—248-2373

512 9th Avenue

Conway, SC 19516-4000

MEMBERS

Glenn & Barbara Thompson

Dennis & Jean Murdock

Mike & Madelyn Hatchell

Kathie Hammersla

Annie Lou Spivey

Leon & Betty Newton

Jackye & George Driscoll

Barry Garren

Jim & Mozelle Goldfinch

Brook Massey

Eddie Dix

Danny Reynolds

Richard & Carla Booth

Gary Finkenbiner

Doug & Raylene Williams

Betty Ackley

Jo Rush

Grace Fleisch

Angell Pettit

Henry & Jac Cannon

Russ MacDonald

Larry Timbes

Nina Seese

Jerry Morehouse

MEMBERS' PARENTS

Mary Bedwell (Lance Bedwell's mother)

James & Carolyn Britt (Dianne Parker's parents)

Dan & Mary Hopkins (Bryan Hopkins' parents)

Elaine Everett (Donna Allen's mother)

Mary Williams (Doug Williams' mother)

Mike Green (Karen Watts' father)

Peggy Jordan (Janice Hardwick's mother)

Louis Nagy (Alan Nagy's father)

Bob Evans (David Evans' father)

Annette (Anna Johnson's mother)

MEMBERS' FAMILY

Gabriel Valentine (grandson of John & Linda Lox)

Bob Herbert (Gary & Iva Finkenbiner's son-in-law)

Jane Gore (Mike Prosser's sister)

Paul Peterson (Pete Peterson's brother)

Al Hammons (Libby Cates' uncle)

Brad Sherrill (Leo & Lorrie Moreau's son-in-law's nephew)

Sarah Koch (Kathie Hammersla's granddaughter)

Linda Hucks (Jimmy Johnson's sister)

Jan McIlroy (Jane Ramseur's sister-in-law)

Diana Cartrette (Erica's aunt)

Neil Allsbrook (Lynn Spires' brother)

Terry Anderson (Athene & Elbert Long's daughter)

Johnny Cail (Carolyn Floyd's brother)

Don Jones (Linda Lox's brother)

B.J. Burress (Charlton Butler's cousin's wife)

Dora Dean Hughes (Eddie Dix's sister)

Melanie Poff (Brenda Murphy's sister-in-law)

Cindy Gunnin (Larry Hyman's cousin)

Michael Moreau (Leo & Lorrie Moreau's son)

John Covington (Kevin Covington's brother)

Vivian Reynolds (Eddie Dix's sister)

Carl Jordan (Janice Hardwick's brother)

Larry Newcomer (Gerry Holley's brother)

Jeff Shaw (Dianne Parker's cousin)

Kathy Lee (Dianne Parker's sister)

Staci Mills (Lori Jones' niece)

Mr. & Mrs. John Wendell Smith (Cheryl Robertson's family)

Ann Nagy (Alan & Ellen Nagy's daughter)

Caroline Robertson (Cheryl Robertson's granddaughter)

Don Murphy (Brenda Murphy's husband)

Evan Watson (Ed Johnson's great-grandson)

Ellis Dusenbury (Nancy Hopkins' brother-in-law)

MEMBERS' FRIENDS

Ashley Hart (Lana Fortson's friend)

Jay McKinney (Barbara Roberto's friend)

Tom Sheaffer (Barbara Roberto's friend)

Joe Carter (Eddie Dix's friend)

Lee Cates (Leroy Clewis' grandson)

Craig Squires (Donna Allen's friend)

Brian Messimer (Billy Dillard's friend)

Joyce & Marshall Parker (former TUMC music director)

Judy Geddie (John Winn's friend)

Rev. Thom & Betsy Giuntoli (Julie Miller's friends)

Valerie Houck (Linda Lox's friend)

Maria & Wyatt Wallace (Tamara Tindall's friends)

Harry Johnson (Barbara Roberto's friend)

Donnie Burgess (Corky Corcoran's friend)

Joyce Miller (friend of the Driscolls)

Andy Bryan (Sara Newton's friend)

Bill & Robert McCullough (friends of the Moreaus)

Anita Wygonik (Peggy Christie's friend)

Guy Tavel (Dee Nesbit & Jackye Driscoll's friend)

Shannon Evans (Jerry Sanders' friend)

Faye & Dick Holt (Jenny Gantt's friends)

Tess Smith (granddaughter of Joe Hudson's friends)

Julian Coburn (Joe Hudson's friend)

Paula Adams (John Winn's friend)

Kingston Nursing Center/Med Star

Melvina Snipes (Richard Jordan's aunt)

Ruth Anderson (Richard Anderson's mother)

Conway Manor

Archie Lee (Virginia Davis' brother)

Reflections

Grace McNew (Ed McNew's mother)

Loris Extended Card

Eugene Platt (Tiffany Suggs' father)

Armed Forces

Kari Beth Payne (Ron & Lori Jones' daughter)

Kyle Murray (Gerry Holley's nephew)

Timmy Jeffords (Branyon family friend)

Jonathan & Samantha Sanders (Jerry Sanders' son & daughter-in-law))

SSG Dominic J. Budzisz (Jennifer Dozier's cousin)

Matthew Merzke (Diane Fouquet's nephew)

Michael Merzke (Diane Fouquet's nephew)

Alex Epps (John Creel's nephew)

Joseph O'Brien (Barbara Davis' cousin)

Capt. Robert C. Weitzman, US Navy

(Marti Hubbard's brother-in-law)

Jackson Schade (Genie Peterson's cousin)

Captain Matthew Linton (Beth Linton's grandson)

Cmdr. Stony Martin (Lynn Spires' son-in-law)

Douglas Long (Elbert & Athene Long's grandson)

Seth Leonard (Elbert & Athene Long's grandson-in-law)

Gene A. Norris, Jr. (Gene & Carolyn Norris' son)

Ray Davis (Gene & Carolyn Norris' son-in-law)

Benjamin Anderson (Kathie Hammersla's nephew)

We extend our Christian love and prayers to:

Lynn Spires & family, following the death of her cousin, Jane Richardson

Barry Garren & family, following the death of his cousin, Betty Ann Ward

Lana Fortson & family, following the death of her aunt, Margaret Rose Talbert

Tony Guida & family, following the death of his sister, Petrina Guida

Shepherding Team News:

We thank you for the privilege of praying for you and your family's concerns. We need your help to keep our list updated. We will be keeping the names you give us on the list for a period of "3 months" with the exception of the nursing home patients, shut-ins, and the Armed Forces personnel. Please call the church office with your updates.

EVENTS AT TRINITY



**We are Busy as a Bee,
as You Can See!!!**

Please remember to call the church office to schedule use of the campus buildings.

Make sure you're on the calendar.

SUNDAYS: Praise Team Rehearsal at 8:20 a.m. in the choir room, Hospitality Time at 8:30 a.m. in the fellowship hall, Contemporary Worship Service at 9 a.m. in the fellowship hall, Sunday School at 10 a.m. in the educational building, Sanctuary Worship Service at 11 a.m. in the sanctuary, MYF at 5:00 p.m. in the Cordie Page FLC; "Closer Walk" Vespers at 5:30 p.m. in the media room

MONDAYS: Monday Morning Prayer Group at 6:30 a.m. in the conference room; Coastal Samaritan Counseling Center from 9:00 a.m.-6:00 p.m. in the pastor's study; Genesis Bible study at 7:00 p.m. in the media room

TUESDAYS: Tuesdays at Trinity at 9 a.m. in the church office for fellowship and refreshments; Daniel Bible study at 10:00 a.m. in the media room; Weight Watchers meeting at 5:30 p.m. in the fellowship hall

FIRST & THIRD TUESDAY: Shepherding Group at 9:00 a.m. in the conference room.

WEDNESDAYS: Coastal Samaritan Counseling Center from 9:00 a.m.-6:00 p.m. in the pastor's study. Trinity Ringers rehearsal at 5:15 p.m. in the handbell room ; Big Fish/Little Fish Club at 5:45 p.m. in the fellowship hall ; Chancel Choir rehearsal at 7:00 p.m. in the choir room; Praise Band rehearsal at 8:00 p.m. in the fellowship hall.

THURSDAYS: Rotary Club meeting in the fellowship hall at 12:30 p.m.; Scout Night begins at 7:00 p.m. in the fellowship hall, education building and scout room

SATURDAYS: Men's Prayer Breakfast in the Cordie Page FLC at 7:30 a.m.

Special Dates in November

- All Saints' Day, November 1
- All Saints' Sunday, November 6
- Daylight Saving Time ends, November 6
- Veterans Day, November 11
- Christ the King Sunday, November 20
- Thanksgiving Day, November 24
- First Sunday of Advent, November 27

NOVEMBER BIRTHDAYS & ANNIVERSARIES

- | | |
|--|--|
| 2 Jinx Davis
Jackson Brookshire
Jeff & Valerie Davis | 22 Donnie Guyton
Ed McNew
Grace Johnson
Richard & Fay Holt |
| 3 Lloyd Davis
Chad Cunningham | 23 Ellen Vaught
Iva Finkenbiner
Reggie & Sudie Daves
Dean & Annie Slate
Patti & Bob Herbert |
| 4 Jennifer Dozier
Glenn Graves
Rick Gartrell | 24 Willie Ruth Purvis |
| 5 Maddie Neese | 25 Richard Booth
Larry Dillard
Emily Cornelison
Jack Graham |
| 6 BobbiDawn Inabnit | 26 Alex Naish |
| 7 Amy Bartelotte | 27 Maida Fuentes
Bob Rogers
Bob & Lana Fortson
Ernest & Janice Hardwick |
| 8 Beulah McNeill
David & Kellah Webster | 29 Julie Miller
Glynn Johnson
Keith Bartelotte |
| 9 Bryan Hopkins
Linda Hendrick
Dick & Jo Rush | 30 John Guyton
Wayne Nobles
Sarah Allen
Norris Cartrette
Dalton Watts
Sam & Jennifer Graves |
| 11 Flora Helms
Page Anderson | |
| 12 Russell Boatwright
Ellen Nagy | |
| 13 Jess Glasgow
Rafael Hooks
Polly Vereen
Liz Branyon | |
| 14 Davis Inabnit
Catherine Hudson
Sharon McCollum | |
| 15 Richard & Tamara Tindall
Graham Anderson | |
| 16 O'Neil Cannon
Kip & Mary Miller
Linda Johnson | |
| 17 George Driscoll | |
| 18 Bill & Kelly Barnes | |
| 19 Dale Carroll | |
| 20 Jimmy Johnson | |
| 21 Delores Dickerson
Marti Hurtt | |



Please contact those listed on their special day to let them know you care!

November Sunday School Opportunities

10:00-10:45

Children and Youth Classes

Three B.I.G. (Believe in God) Truths: *God is a great big God.
God loves us with a great big love.
We are part of God's great big world.*

November's B.I.G. Idea: *We believe that stories about praise teach us many different ways to praise God..*

November's Bible Verse: *Let everything that breathes praise the LORD! Praise the LORD! Psalm 150:6 CEV*

Dove Squad : Ages 2, 3, and 4-Education Building-first floor

Teachers: Katie Brookshire, Ara Heinz, Janie Hudson

Celebration Class: 5 years-2nd Grade, Education Building-second floor

Teachers: Kelly Barnes, Jill Feldner, Carolyn Guyton, Alicia Reaves

Exodus Class: 3rd-5th Grade, Education Building-second floor

Teachers: Donna Allen, Courtney Davis, Beth Suggs

Middle School Class: 6th-8th Grade, Education Building-second floor

Teachers: Joey Johnston, Karen Watts

Senior High Class: 9th-12th Grade, Education Building-second floor

Teachers: Tammy & Lee Boyd, Glenn Cartrette, Nancy Hopkins



Adult Classes

Class-ICS Class: Singles/Couples, Conference Room Contact person-Bob Lexa (347-0540)

- Studying the Old Testament

Faith Class: Singles/Couples, Education Building-second floor Contact person-Beth Suggs (365-1618)

- Continuing a study on the Gospel of Matthew by Max Lucado

JOY Class: Singles/Couples, Chapel/Media Room Contact person-Bill Parker (488-0128).

- Studying Charles Stanley's 30 Life Principles

Ladies Fellowship Class: Ladies, Chapel Contact person-Emma Lou Johnson (248-2689)

- Discussing "Tradition & Wisdom" from the fall quarter of the Adult Bible Series.

Ladies Seekers Class: Ladies, Education Building-second floor Contact person-Cynthia Evans (236-4420)

- Discussing a Max Lucado book, Out Live Your Life—You Were Made to Make a Difference

- Meets with the Ladies Fellowship Class the 1st Sunday of each month

Men's Fellowship Class: Men, Chapel Contact person-Andy Davis (365-5058)

- Discussing "Tradition & Wisdom" from the fall quarter of the Adult Bible Series.

Y'ALL Class: Singles/Couples-age 18-30ish, Education Building-second floor Contact person-Andy Altman (340-4721)

- Discussing Life Lessons by Max Lucado

Master's Class: Singles, Couples, Education Building-second floor Contact person-Anna Johnson

- Discussing lessons from the Standard Lesson Commentary



**TRINITY
UNITED
METHODIST
CHURCH**

198 Long Avenue, Conway, SC 29526-3152

843-248-2194 phone, 843-248-4445 fax

www.trinityconway.com

Change Service Requested

U.S. POSTAGE
PAID
CONWAY, SC
PERMIT NO. 136
NON-PROFIT
ORGANIZATION

REV. DR. SANDRA STEVENS POIREL, Pastor

843-248-2343- parsonage, 843-995-0623- cell

agapah@aol.com

REV. SARAH BRANYON, Children & Youth Minister

843-222-4835 or swbranch@hotmail.com

ANDREW FOWLER, Director of Music

843-457-9686 or andyfowler@sc.rr.com

CAROLYN CAUSEY, Business Administrator

843-907-0030 or ccausey@trinityconway.com

JOHN BROWN, Custodian

**Deadline for Good Word information is the 15th of
each month. E-mail: goodword@trinityconway.com**