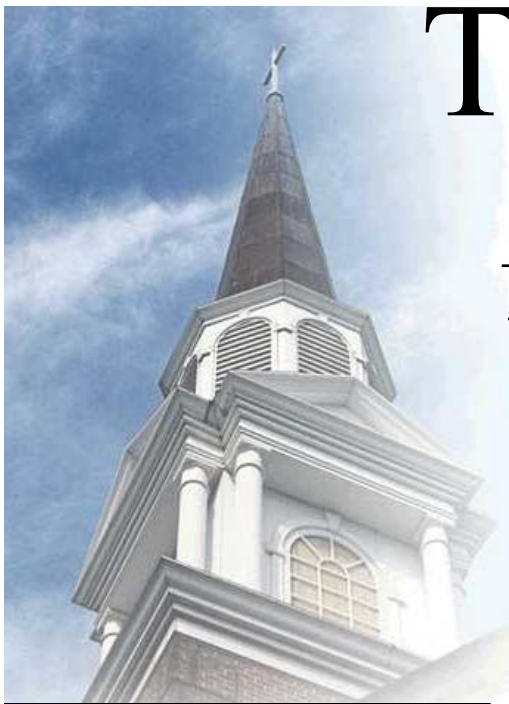


The Good Word

A monthly newsletter of Trinity United Methodist Church

Volume 11, Issue 8

August 2011



Come & See ...

Missions of the Month

SHALOM to you...

Memorials/Honorariums

Action Fact Faith Puzzle

VBS Pictures

Last Bash of Summer

Thanks Trinity

Those Who Serve

We Care/Prayer List

Events/Birthdays

Sunday School

Opportunities

... Go & Tell



*Open Hearts,
Open Minds,
& Open Doors.*



More VBS
pictures inside!!

Missions of the Month

"The King will reply, 'I tell you the truth, whatever you did for one of the least of these brothers of mine, you did for me.'"

Matthew 25:40

TWO BACK TO SCHOOL MISSIONS OF THE MONTH

#1—Local Mission—



EPWORTH
CHILDREN'S HOME

The mission of Epworth Children's Home is to serve children, youth, and families through a caring, accepting and safe Christian community, where hurts are healed; hope is nurtured; and faith in God, self, and others is developed.

Many children come into care with their entire possessions in a plastic bag. Many have only one or a few outfits. Gift cards allow Epworth to personalize clothing and shoes to taste and size. It also brings them a little joy in the midst of the chaos of losing their family to have the ability to pick out their own clothes.

Items of continuous need in addition to Wal-Mart or Target Gift Cards:

- New Luggage
- New Twin Comforters
- New Twin size plastic mattress covers
- Laptop computers for graduating seniors who will be entering college
- Shampoo and conditioner (all types of hair)
- Toothpaste and Toothbrushes
- Bath Soap - Dove and Dial
- Soap and toothbrush holders
- Deodorant
- Kitchen paper towels
- Tissues (e.g., Kleenex)
- New Clothes (tags attached)
- Monetary donations should be marked "August Mission of the Month"



#2—Connectional Mission –



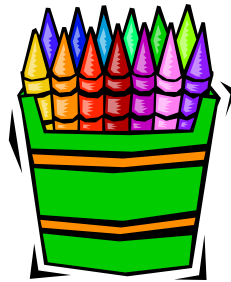
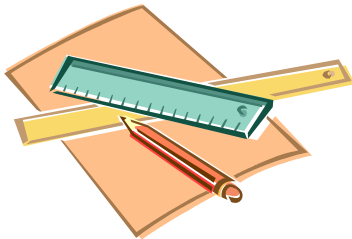
United Methodist Committee on Relief

UMCOR needs school kits:

The latest shipment of school kits to Haiti has “seriously depleted” the stockpile kept by the United Methodist Committee on Relief, which is encouraging congregations to use kit-making as a group project or activity. The kits, which cost about \$11 each to assemble, provide children with basic supplies such as paper, pencils and other items.

School Kit Assembly - Value: \$ 11.00

- 1 pair blunt scissors (rounded tip only / no plastic scissors please)
- 3 pads of paper (spiral or top bound pads / 150 sheets of loose leaf can be substituted for 1 pad / combinations of spiral, top bound or loose leaf is acceptable)
- 1 hand held pencil sharpener (must be at least one inch long/remove from packaging)
- 1 30 centimeter ruler (hard or flexible/cartoon characters are acceptable/ no advertisements please)
- 6 unsharpened pencils (no advertisements/ cartoon characters are acceptable)
- 1 2 1/2 inch eraser (no advertisements/ cartoon characters are acceptable)
- 1 24 count box of crayons (only 24 count boxes, please)
- 1 14”x16” cloth bag (homemade or purchased bags are both acceptable / heavy duty fabric only—denim, corduroy, drapery fabric, etc./ no advertisements/ closures are optional but must be buttons, snaps or Velcro sewn in middle of opening if used)



Assembly Directions:

Place all loose items on top of paper. Turn items sideways and slide into the cloth bag. Fold over the top of the bag so loose items don't fall out.

Important Notes

— All items must be new.

—All emergency kits are carefully planned to make them usable in the greatest number of situations. Since strict rules often govern product entry into international countries, it is important that kits contain only the requested items – nothing more.

PLEASE NOTE: no advertisements, religious, patriotic, military or camouflage symbols, please; cartoon characters are acceptable

— **DO NOT include any personal notes, money or additional material in the kits. These things must be painstakingly removed and will delay the shipment.**

Shalom to you...

It's hard to believe that the days of summer are rapidly passing and fall will be upon us. Families are beginning to make preparations for back-to-school for members of all ages, from kindergarten through college. Some students, faculty, and staff have actually already begun the 2011-12 school year. We are making preparations for a church-wide (that means something for ALL ages) celebration to kick-off the beginning of this school year. There will be inflatables, face painting, live music, and of course, we will do what we do so well...eat. There will be hot dogs, hamburgers, ice cream, snow cones, and all kinds of good stuff. But, while we enjoy the sun and fun of the summer days, we celebrate that we are children of God, called by God to serve.



There is a wonderful story told by Pastor Larry Henning from his experiences in the fourth grade. In his words:

Our teacher, Mrs. Cannon, would periodically leave the room and say, I'll be back in a few minutes. Just work quietly at your desks on your math worksheets. Now, my friends and I tried hard to figure out just when Mrs. Cannon was coming back. We would take turns going to the door to see if she was indeed making her return. Why this obsession about the exact timing of her return? Because in her absence, we were throwing chalkboard erasers around the room and didn't want to get caught by her sudden and unexpected reappearance. Mrs. Cannon was a good teacher who was nice most of the time, but her wrath in response to willful disobedience was an awesome thing to behold. ... Meanwhile, our classmate Elaine never worried about just when Mrs. Cannon might reappear. Why? Because Elaine would be at her desk the whole time faithfully doing her math—faithfully doing what Mrs. Cannon asked her to do. Whenever Mrs. Cannon would return, she would find Elaine faithfully at work. Elaine was so good! [He added:] (I wonder whatever happened to Elaine.)

The point is that Elaine stayed focused on the task given by her teacher. Even during the summer months this local congregation has stayed focused on the task given by our Teacher. *Go therefore and make disciples of all nations....* Matthew 28:19. God continues to call us to ministry and mission (even in the summer months). Summer is a great opportunity to take the church (the people of God) into the community as a public sign and witness to God's in-breaking kingdom.

This summer has been a wonderfully full time of celebrating God's renewing in us the commitment to use our gifts in the service of others, and especially those in need. Thank you for your faithful witness and for sharing your gifts and talents. Thank you for being hands to feed the hungry, improving the living conditions of those in need, comforting those who are anxious or weary, demonstrating hospitality, comforting those who mourn, and being loving neighbors. May these gifts be a sign of God's love to all people.

Thank you for being who and Whose you are... Shalom to you...

Sandra

Memorials

Given in memory of...

Johnny Creel

Mr. & Mrs. Bennie F. Allen, Jr.
Mr. & Mrs. Don H. Murphy
Martha M. Cline
Mr. & Mrs. Henry L. Davis
Mr. & Mrs. Robert James
Mr. & Mrs. Larry B. Johnson
Mr. & Mrs. George P. Hubbard
Palmetto Chevrolet Company, Inc.
Mrs. Sebron Y. Hood, Jr.
Mr. & Mrs. William F. Edwards
Mr. & Mrs. Wendel E. Hinson
James W. Webb, Jr.
Mr. & Mrs. John T. Henry
Dr. & Mrs. Richard H. Rush
Conway National Bank
Mr. & Mrs. Bobby Gantt
Mr. & Mrs. Robert E. Barker
Monday Morning Sharing Group

Sylvia Reddick

Mr. & Mrs. O'Neil Cannon
Mr. & Mrs. Bennie F. Allen, Jr.
Nancy W. Hendrick
Mr. & Mrs. Henry L. Davis
James W. Webb, Jr.
Mr. & Mrs. John T. Henry
Dr. & Mrs. Richard H. Rush
Martha H. Gore
Bunnie Butler Circle
Janice C. Cooney
Mr. & Mrs. O. A. Rankin
Mr. & Mrs. Ennis L. Blackburn
Mr. & Mrs. Ronald J. Horton
Mr. & Mrs. James H Haygreen
Mr. & Mrs. Daniel C. Elkin, Jr.
Martha H. Cline
Loretta D. Roberts
Ladies Fellowship Class
Carol J. Crane
Gay W. Swilley
Sara D. Nobles

Judy C. Long
Mr. & Mrs. Rupert M. Stalvey
Alice M. Marlowe
Mr. & Mrs. Thomas J. Lewis
Conway National Bank
Mr. & Mrs. Stan Cross
Anne S. Dickerson
Jean S. Floyd
Mr. & Mrs. Tom Gilmore
Mr. & Mrs. C. E. Grove
Mr. & Mrs. William A. Collins
Mr. & Mrs. James B. Morris
Mr. & Mrs. Bobby Gantt
Monday Morning Sharing Group
Mr. & Mrs. Barry W. Garren

Honorariums

Given in honor of...

Weston Stevens

Rev. Dr. Sandra Stevens Poirer



**Epworth
Gift Cards**

This year, one of our mission projects for Christmas will include providing \$25 Walmart OR Target gift cards for each of our children who calls Epworth home.

Our goal is to send a total of 100 gift cards. We are beginning to collect them now in the church office. If you prefer, you may make a monetary donation and the cards will be purchased for you.

Thank you for continuing to contribute to the lives of these our children.

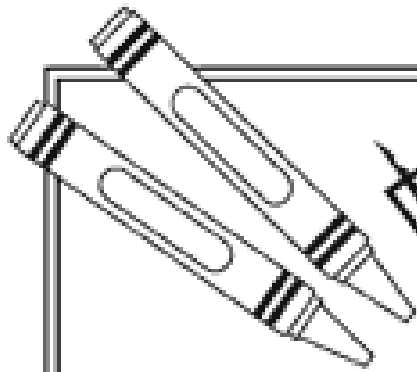


August 21



August 5-7—UMYF Whitewater rafting trip

August 28— UMYF Cookout at the Branyons



PUZZLE

action-packed faith

The greatest “super men” who ever lived put their faith into action.

Directions: Match each Bible character to the correct description.

- | | |
|----------|----------------------------------------------------------------------------------------------------------------------------------------------|
| Noah | 1. This disciple wrote a gospel, recounting many events in Jesus’ life. |
| Stephen | 2. This man responded to God’s commands, including the order to move. God made many promises to this man and his descendants. |
| Abraham | 3. This man was eager to rebuild Jerusalem. He helped the people protect their city, reminding them that God was on their side. |
| Luke | 4. This man, who became king of Judah at a young age, obeyed God’s laws and helped people repent. |
| Nehemiah | 5. God saved this honest, hard-working man from destruction by having him build a place of safety for his family and every kind of creature. |
| Josiah | 6. This man stood by God’s Word, showing strength of character even when faced with persecution and death. |

On the lines below, write your name and describe how you’re a “hero” for God. What are some ways you put your faith into action?

Name: _____



Last Bash of the Summer!!

For kids of all ages—Invite your friends and neighbors



Johnson Park
August 21
4:00–7:00 PM



Special Guest Musicians: Scott Johnson,
pastor of Union UMC, and friends

Hot Dogs
Hamburgers
Snow Cones
Ice Cream
Popcorn
Inflatables
Face Painting
Games for all!



Come join us for one last blast before school starts!
Enjoy the food, fun, and family-time!

Trinity United Methodist Church
198 Long Avenue, Conway —248-2194

Genesis Bible Study



A new Bible study on the book of Genesis, led by Ed McNew, will begin on September 12. The group will meet for approximately 18 weeks on Monday evenings at 6:30 PM in the Media Room. The group will organize the meeting schedule including "breaks" for holidays. Please contact Ed (488-4053) or the church office if interested.



Trinity Ringers

Handbell practice will resume on Wednesday, August 3 at 5:15 PM in the bell room. New members are always welcome!

UNITED METHODIST NEWS FROM AROUND THE WORLD...



The battling bishops ... and other mascots

DELAWARE, Ohio – In the colorful world of mascots, United Methodist-related schools are at the top of the class with unique and historic "spokespersons." The award for the best church-related mascot would have to go to Ohio Wesleyan with the Battling Bishops. The bishops ranked up there with the Fighting Okra from Delta State University and Sammy the Slug at University of California, Santa Cruz.

Clean water saves lives, makes disciples

MUGHOWO, Mozambique — Four communities in remote Inhambane West are praising God and The United Methodist Church for the lifesaving gift of clean, safe water. The Missouri Mozambique Initiative, a partnership between the United Methodist Missouri Annual (regional) Conference and the Mozambique Conference, has provided funds to drill 10 wells since February.



New Church Pictorial Directory

Save the dates—
**October 20-22,
27-29**

It's time for a new church pictorial directory and the photography session dates have been booked with Olan Mills. The weekday times are 2:00-9:20 PM and Saturday times are 9:30AM-5:10 PM.

Scheduling will begin in late August.



Altar Flowers for Early Service

If you would like to provide flowers for the altar at the 9:00 AM service in honor or in memory of a loved one, please contact Carolyn. She will be keeping a calendar, so you may request a particular Sunday. The cost of this arrangement is \$30.

Grocery Store Encounter

by Andrea Doudera



J e s u s often gives commands such as, “Come,” “Listen,” “Ask,” or “Pray.” He directs us to action. Yet in

my search of Scripture, I can’t find any commands that fit my life style of “Hurry,” “Rush,” “Do,” or “Speed.” In fact, in my quiet time, I hear just the opposite message from God who calls me to abide.

Bear with me, I’m going to give you a snapshot of a recent day in my life. For many of you, it will sound depressingly familiar. The day’s plan was to drive five hours to the Outer Banks of North Carolina for a weekend vacation with my family. I didn’t want to miss my Bible study group so I went there first. It was late morning by the time I got home and packed.

Next I went to the grocery store and filled a cooler full of some hard to find items. Nearly out of town, I suddenly remembered my sister’s birthday; detoured to the mall and then to the post office. Finally I settled in for the drive. My plan was to stop by Virginia Beach to have a quick visit with relatives. Traffic was heavy so I was over an hour late getting to my 90 year old father-in-law’s house. Our visit was cut short as I had promised my daughter I would pick up my six month old granddaughter from the sitter and be back at her house when she got home from work. I was late and she beat us home. We visited a bit and eventually I fixed dinner for us to stash in my cooler. It was after 9:30 PM when I left to drive the final two hours to the Outer Banks, arriving quite late.

Are you exhausted yet? I certainly was.

The next morning, I went out to shop at the local grocery store for the rest of the supplies needed to feed ten people for a

weekend. I was fairly focused on my task—in other words, I was a woman on a mission. Parking my laden grocery cart to the side of an aisle, I ducked around the corner to grab some shaving cream I would probably not use anyway because who has time to shave their legs? When I got back I realized that there was an older woman waiting patiently to get around my cart.

“I’m so sorry,” I apologized as I quickly maneuvered my heavy cart aside. “I thought I had parked this with enough room for people to get past me.”

“I’m not in a hurry,” the woman said calmly, looking me right in the eye.

I pushed my cart to the next aisle but her words reeled in my head. Do I ever say that? Was it possible to live a life where I could? Jesus was never in a hurry, even when His beloved friend, Lazarus, died. Jesus was purposeful, but not rushed.

I knew God had sent me a message. For some time, I have been hearing God say to me, “Come abide in Me. Fellowship with Me. Listen for My still small voice.” In fact, earlier this year, one of my New Year’s resolutions was to slow down, to be on time, and to learn to not over schedule. Sadly, I wasn’t succeeding very well as my frantic activity the day before showed.

Rick Warren wrote the best seller, *The Purpose Driven Life*. Although I read that book last year and found it helpful, God continued to talk to me about living a “Presence Filled Life.”

Still unable to get the woman’s words out of my mind, I prayed the next morning, “Dear Father, help me slow down and delight in the present instead of using it as a vehicle to reach an unreachable future. Work in me, Lord God.”

I use a prayer journal during my quiet time and for some years have been writing out my prayers to God then switching to red ink what I believe I hear God saying to me.

On this morning, God’s answer was as follows:

Dear Rushed, anxious child of Mine, I hold the future in My hands. All your anxious, frantic activity does not impact My plan at all; it only changes the quality of your life. If you allow Me to be Lord of your every moment; if you are able to focus on Me instead of yourself, you will find that life is a gift...all your moments have been squandered in your rushing bid for tomorrow. Yet I am Lord of tomorrow just as I am Lord of today. Can you slow down? Can you enjoy each gift, each breath, each new thing? I will help you. Do not be afraid. I am Lord even of this. “Peace I leave with you; My peace I give you. I do not give you as the world gives. Do not let your hearts be troubled and do not be afraid.” (John14:27) ~ Abba

I hear loudly and clearly that God wants a relationship with me. He wants me to practice His presence as Brother Lawrence wrote about in his classic book.* He wants me to glorify Him with my every act, every thought. It’s hard to do that when you are living a day like I described earlier, when you can’t say “no” to anyone and when you feel driven to do everything yourself. Yet God, in His great love, speaks to us even in times like that. He waits for us, His errant children, to turn towards home like the prodigal son.

I know he will answer my prayer for help overcoming a life long habit of hurry, busyness, and over scheduling. He is like that—always ready to meet us where we are when we confess our need for Him and desire to change our ways. He graciously put a woman—perhaps an angel—in my path to give me a one sentence wake up call, “I’m not in a hurry.” I am confident that soon I will be able to say that too.

**The Practice of the Presence of God, by Brother Lawrence.*

Reprinted from The Breakthrough Intercessor Vol 26, No.3,



Beth Moore Live Simulcast

September 10th 10 AM - 5:30 PM

Complimentary Lunch

Christ United Methodist Church

2901 Fantasy Way, MB

(across from Medieval Times)

Doors open at 9 AM for coffee & sweets

Registration fee: \$12 until 7/31

\$15 from 8/1 until 9/4

\$20 from 9/5 and at the door

Ask about our group discounts

Send registration questions or orders to Sue at

bethmooretixcumc@gmail.com

Grand Strand Women's Day
Saturday, September 17
9:00 AM until 2:30 PM

featuring
Ruth Graham
Guest Speaker



Ocean Drive Presbyterian Church
410 Sixth Avenue South
North Myrtle Beach, SC 29582
Office: (843) 249-2312
Fax: (843) 249-1551
www.odpc.org

Registration fee is \$25 per person (includes lunch) due with registration. (Scholarships are available.) Make checks payable to Grand Strand Women's Day. Mail to: PO Box 15, North Myrtle Beach, SC, 29597. Questions: Please call Ocean Drive Presbyterian Church at (843) 249-2312.



Daniel: Lives of Integrity, Words of Prophecy - Join Beth Moore in a faith-building 12 week study of prophecy and learn how to live with integrity in today's self-absorbed society. The prophet Daniel faced unbelievable pressures to compromise his faith, to live in a hostile culture, and to confront temptations and threats. Today, believers in Jesus Christ face many of the same trials. This Old Testament Bible study falls in two parts. The first portion, from Daniel chapters 1-6, deals with Daniel's life as he faced the kind of pressures and temptations Christians encounter today. Daniel models how to develop enduring integrity in an enticing world. The second portion, chapters 7-12, explores thrilling prophecies from the time of Daniel through the second coming of Jesus Christ.

Our study begins September 6 - 10:00am - 12:30pm.
Contact Nancy Anderson(397-5206) to sign up.

THANKS TRINITY

Dear Trinity Family,

You have taken such good care of us for 49 years. We appreciate your loving remembrances of Sylvia as we celebrate her life, and we are grateful for the outpouring of support for her family as we grieve together. We are blessed by your collective embrace.

Love,
Mary Grey & Jim

Dear Trinity United Methodist,

On behalf of Street Reach Ministries, thank you so much for your generous gift of \$200. Your time, talents, and gifts have helped us to meet the needs of the homeless.

The Lord tells us in His Word, "There will always be poor people in the land." Thank you for helping us to help others. God bless you!

Sincerely yours,
Joy Hanner
Street Reach Ministries

Dear Reverend Poirel,

Thank you so much for the donations from members of Trinity United Methodist Church collected from Lenten lunches and the Maundy/Holy Thursday offering. Friendship Medical Clinic & Pharmacy sincerely appreciate your generosity.

While we have received financial support from United Way since 1974, it is donations from businesses, churches, civic groups, grants and individuals that greatly aid in keeping this clinic open since 1965.

It is only through community generosity that Horry County has a free medical clinic and pharmacy. The clinic has 58 volunteers including doctors, pharmacists, nurses, and clerical help.

Your donation contributes toward providing medical care and medications to low income adults without access to medical insurance. We are a 501(c)(3) Public Charity.

Thank you so much for your financial support,

Sincerely,
Terri Harris, Executive Director
Friendship Medical Clinic

Dear Trinity United Methodist Church,

Thank you for your generous support of Waccamaw Youth Center through your recent donation of marshmallows, rigatoni, cake and buns. Without people like you, "A Place to Call Home" would not exist.

Waccamaw Youth Center

Dear Trinity Methodist Church,

We would like to thank you very, very much for making us the mission of the month and for your previous contributions. You are most generous. Our medical care for the poor and those in need will continue thanks to folks like you and thanks to God.

While I am communicating with you, I would like to tell you about an unusual situation that happened at our clinic today. This well dressed, salubrious and attractive brunette lady came in and began casing our facility. Her repartee with the staff and volunteers was readily received. However, everyone knew that she had far too much money to be seen as a patient; so what did she want. When she started telling us that she was close to God, we figured we had a psychiatric problem. Well, before we could get a bottle of Prozac for her, she was out the door. She indicated that she was headed your way, but the lagniappe that she and Trinity provided was wonderful.

Thank you again and that nice little lady is welcome back any time.

Reggie Daves, Medical Director
Friendship Medical Clinic

Hi, Sandra,

Thank you for your support of all of us during the last four weeks. We have been so blessed to have such devoted friends and family, and we are truly grateful for that. Please tell the folks at Trinity how much we miss all of them and how much we appreciate their prayers for the twins and our family.

Yes - we did receive the package with the two beautiful blankets for the twins. The blankets are gorgeous and we know that many long hours were spent praying over the recipients of them. Please give our sincere thanks to everyone. An official thank you will come soon, though.

Again, thank you for your encouragement and support. We have felt the love going out for us over the last weeks and know, without a doubt, that God has heard all these prayers. Hope to talk to you or see you soon.

Blessings,
Trina

THOSE WHO SERVE

At 11:00 A.M Traditional Service

August 7, 2011

Sound System: Bryan Hopkins
Greeters: Class-ICS Class
Ushers: Stan Cross, Curtis Rideout, Hank Eddy, Todd Browning
Acolyte/Crucifer: Taylor Reaves/Molly Hopkins
Count Committee on Monday: Genie Peterson, Carolyn Norris
Nursery: Ginger Jordan
BIG News: Mandy Hewitt, Jill Feldner
Flowers: 9:00-In honor of Christopher Poirel, on the occasion of his 25th birthday
11:00-In honor of their grandchildren with love, Merrell & Carolyn Floyd
Landscape: Janet Howle
Altar Guild: Judy Gidney, Jo Rush

August 14, 2011

Sound System: Bryan Hopkins
Greeters: Y'ALL Class
Ushers: Jamie Hewitt, Reggie Daves, Wallace Anderson, Bill Barnes
Acolyte/Crucifer: Leigh Catherine Hewitt/Cassidy Hewitt
Count Committee on Monday: Mary Shellam Hill, Diane Fouquet
Nursery: Peggy Christie
BIG News: BobbiDawn Inabnit/Pam Reis
Flowers: 9:00-In honor of Kayley & Ashley, by Andy & Lisa Davis
11:00-In loving memory of Sandra Creel, by her parents, Johnny & LaVerne Creel and family
Landscape: Lana Fortson
Altar Guild: Judy Gidney, Jo Rush

August 21, 2011

Sound System: Bryan Hopkins
Greeters: Joy Class
Ushers: Sam Graves, Joe Hudson, Frank Keiser, Omar Ortiz
Acolyte/Crucifer: Manning Feldner/Tanner Guyton
Count Committee on Monday: Mary Cross, Marti Hubbard
Nursery: BobbiDawn Inabnit
BIG News: BobbiDawn Inabnit/Pam Reis
Flowers: 9:00-In honor of her mother, Betsy Wiggins, by Sarah & Clay Branyon
11:00- In honor of their two granddaughters, Lindsey Todd & Rebekah Holt, by Marti & George Hubbard
Landscape: Donna Cartrette
Altar Guild: Judy Gidney, Jo Rush

August 28, 2011

Sound System: Bryan Hopkins
Greeters: Faith Class
Ushers: Clay Branyon, Larry Dickerson, Rick Morehouse, Danny Reynolds
Acolyte/Crucifer: Gage Fortson/Seth Skipper
Count Committee on Monday: Margaret Henry, Mary Shellam Hill
Nursery: Phyllis Eisenman
BIG News: Jessica Rogers/Brooke Howle
Flowers: In memory of their parents with love, by Lettie & Pete Byrdic
Landscape: Valerie Davis
Altar Guild: Judy Gidney, Jo Rush

Interested in sharing your gifts and talents?? Please call the church office at 248-2194 to volunteer.

There's a place for you!!



Congratulations to:

Iva & Gary Finkenbiner, on the birth of their great grandson, Jackson Paul Buzzanco. Proud parents are Brandy & Brad Buzzanco

Julie & Derrick Strickland, on the birth of a daughter, Mallory Ann Strickland



Check the box underneath the bulletin board in the hall outside of the office if you have lost something.

New Members

Bucky Young
Tom & Bonnie Silk
Dawn Turner
Rick & Ann Taylor



Welcome to our Church !

Swap-n-Shop

Got something you need or would like to sell!! Drop the info off at the Church office and we will post it on Swap-n-Shop for three months!

For Sale: 50 gallon aquarium, stand and light included—\$75.00. Call Iva at 347-4488.



WE CARE

Trinity's Prayer List

*Are there any among you sick?
They should call for the elders of
the church and have them pray over
them.*

James 5:14

Emeritus (347-3050)

872 Singleton Ridge Road, Conway 29526-1101
Sudie Payne (Room 407) 347-3926
Albertine Jordan (Room 108) 234-3272

Wildewood Downs (803-699-5359)

1001 Wildewood Downs Circle, Columbia 29223
Sarah Hendrick (Room 107-C)
803-699-5359

Anderson Oaks

997 Hwy 90, Conway, 29526

Patsy Oliver

Rolling Green Village

3 Hoke Smith Blvd Greenville, SC 29615

Eloise Smith C-114 864-631-1123, 340-8804

Hidden Wood

50 Wellesley Drive, Newport News, VA 23606

Marti Hurtt (Apt. 129) 757-310-6573

Grand Strand HealthCare

Linda Hendrick (Rm 127) 294-6127

Home Bound:

Dot Hook—248-5425

1006 Buck St.,
Conway, SC 29526-4119

Betty Peterson—407-275-3833

c/o Evelyn Dunn, 14532 Gainsborough Dr.,
Orlando, FL 32826-4002

Lillian Prohaska—248-7098

2501 Oak St. Ext, Apt. E-1,
Conway, SC 29526

Nita Brown—248-2923

901 Main Street
Conway, SC 29526-4064

Edgar Johnson—803-407-7988

c/o Paula Wise, 411 Kings Creek Rd,
Irmo, SC 29065

Grace Johnson—365-3639

4196 Hwy. 319E,
Conway, SC 29526

Ken Spivey—248-2373

512 9th Avenue
Conway, SC 19516-4000

MEMBERS

Glenn & Barbara Thompson

Dennis & Jean Murdock

Mike & Madelyn Hatchell

Kathie Hammersla

Annie Lou Spivey

Leon & Betty Newton

Jackye & George Driscoll

Barry Garren

Jim & Mozelle Goldfinch

Lettie & Pete Byrdic

Brook Massey

Betty Helms

Eddie Dix

Ed & Gerry Holly

Danny Reynolds

Richard & Carla Booth

Gary Finkenbiner

Raylene Williams

Betty Ackley

Jo Rush

Grace Fleisch

Jimmy Hayes

Angell Pettit

Mim Barshinger

Linda Strogen

Bucky Young

Lewis Comer

Aubrey Heinz

Henry & Jac Cannon

MEMBERS' PARENTS

Mary Bedwell (Lance Bedwell's mother)

James & Carolyn Britt (Dianne Parker's parents)

Dan & Mary Hopkins (Bryan Hopkins' parents)

Elaine Everett (Donna Allen's mother)

Mary Williams (Doug Williams' mother)

Mike Green (Karen Watts' father)

Katie Jordan (Janice Hardwick's mother)

Tiffany Suggs' father

MEMBERS' FAMILY

Ralph Johnson (Jackye Driscoll's brother)

Gabriel Valentine (grandson of John & Linda Lox)

Bob Herbert (Gary & Iva Finkenbiner's son-in-law)

Jane Gore (Mike Prosser's sister)

Paul Peterson (Pete Peterson's brother)

Al Hammons (Libby Cates' uncle)

Brad Sherrill (Leo & Lorrie Moreau's son-in-law's
nephew)

Sarah Koch (Kathie Hammersla's granddaughter)

Wes Gabbard's son (Lance Bedwell's cousin)

Linda Hucks (Jimmy Johnson's sister)

Ellis Dusenbury (Nancy Hopkins' brother-in-law)

Amber Dunn (Pete Peterson's nephew's wife)

Jan McIlroy (Jane Ramseur's sister-in-law)

Diana Cartrette (Erica's aunt)

Neil Allsbrook (Lynn Spires' brother)

Jane Harper (Robert Harper's sister)

Terry Anderson (Athene & Elbert Long's daughter)

Johnny Cail (Carolyn Floyd's brother)

Don Jones (Linda Lox's brother)

B.J. Burress (Charlton Butler's cousin's wife)

Dakota Cobb (Ron & Lori Jones' granddaughter)

Ragsdale Allsbrook (Lynn Spires' brother)

Dora Dean Hughes (Eddie Dix's sister)

Megan Martin (Dick & Julie Miller's daughter)

Melanie Pott (Brenda Murphy's sister-in-law)

Bobbie Owens (Pat Gregory's sister)

Krista & Justin Mysock & twins (Trina & Larry
Lewis' daughter)

John Curtis Webster (Jill Feldner's cousin)

Cindy Gunnin (Larry Hyman's cousin)

Pete Smith (Kellah Webster's cousin)

Michael Moreau (Leo & Lorrie Moreau's son)

John Covington (Kevin Covington's brother)

MEMBERS' FRIENDS

Ashley Hart (Lana Fortson's friend)

Jeannette Darhower (Logan Woodlee's friend)

Jay McKinney (Barbara Roberto's friend)

Tom Sheaffer (Barbara Roberto's friend)

Joe Carter (Eddie Dix's friend)

Caroline Daly (Bennie Allen's friend)

Lee Cates (Leroy Clewis' grandson)

Craig Squires (Donna Allen's friend)

Brian Messimer (Billy Dillard's friend)

Dottie Sauter (Mim Barshinger's friend)

Bob Smith (Kairos friend)

Ted Murphy (Jackye Driscoll's friend)

Jim Korb (Jerry Sanders' friend)

Julie Hogarth (Barbara Roberto's friend)

Joyce & Marshall Parker (former TUMC music
director)

Judy Geddy (John Winn's friend)

Rev. Thom & Betsy Giuntoli (Julie Miller's friends)

Valerie Houck (Linda Lox's friend)

Warren & Wanda Parker (Peggy Christie's friends)

Maria & Wyatt Wallace (Tamara Tindall's friends)

Harry Johnson (Barbara Roberto's friend)

Kitty & Joel Hurdle (Robert Harper's friends)

Family of Britney Savage (B.J.Branyon's friends)

Donnie Burgess (Corky Corcoran's friend)

Dave Ramsey (Kairos friend)

Joyce Miller (friend of the Driscolls)

Andy Bryan (Sara Newton's friend)

Kingston Nursing Center/Med Star

Melvina Snipes (Robin Jordan's aunt)

Ruth Anderson (Richard Anderson's mother)

Conway Manor

Archie Lee (Virginia Davis' brother)

Reflections

Grace McNew (Ed McNew's mother)

Loris Extended Card

Eugene Platt (Tiffany Suggs' father)

Armed Forces

Kari Beth Payne (Ron & Lori Jones' daughter)

Kyle Murray (Gerry Holley's nephew)

Timmy Jeffords (Branyon family friend)

Jonathan Sanders (Jerry Sanders' son)

SSG Dominic J. Budzisz (Jennifer Dozier's cousin)

Matthew Merzke (Diane Fouquet's nephew)

Michael Merzke (Diane Fouquet's nephew)

Alex Epps (John Creel's nephew)

Joseph O'Brien (Barbara Davis' cousin)

Capt. Robert C. Weitzman, US Navy

(Marti Hubbard's brother-in-law)

Jackson Schade (Genie Peterson's cousin)

Captain Matthew Linton (Beth Linton's grandson)

Stoney Martin (Lynn Spires' son-in-law)

We extend our Christian love and prayers to:

Jim Reddick & family, following the death of his
wife, Sylvia

Ruby Pittman & family, following the death of her
brother-in-law, Douglas Harrelson

Lance Bedwell & family, following the death of his
aunt, Margie Price

Edgar Johnson & family, following the death of his
sister, Margaret Johnson Reese

Wayne Nobles & family, following the death of his
aunt, Bessie Hughes

Bennie Allen & Erma Lee Cannon, following the
death of their aunt & cousin, Jeanwood Floyd

EVENTS AT TRINITY



**We are Busy as a Bee,
as You Can See!!!**

Please remember to call the church office to schedule use of the campus buildings.

Make sure you're on the calendar.

SUNDAYS: Praise Team Rehearsal at 8:20 a.m. in the choir room, **Hospitality Time** at 8:30 a.m. in the fellowship hall, **Contemporary Worship Service** at 9 a.m. in the fellowship hall, **Sunday School** at 10 a.m. in the educational building, **Sanctuary Worship Service** at 11 a.m. in the sanctuary, **MYF** at 5:00 p.m. in the Cordie Page; **"Closer Walk" Vespers** at 5:30 p.m. in the media room

MONDAYS: Monday Morning Prayer Group at 6:30 a.m. in the conference room

TUESDAYS: Tuesdays at Trinity at 9 a.m. in the church office for fellowship and refreshments, **Weight Watchers** meeting at 5:30 p.m. in the fellowship hall

FIRST & THIRD TUESDAY: **Shepherding Group** at 9:00 a.m. in the conference room.

WEDNESDAYS: Trinity Ringers rehearsal at 5:15 p.m. in the handbell room ; **Big Fish/Little Fish Club** at 5:45 p.m. in the fellowship hall (on break until fall); **Chancel Choir rehearsal** at 7:00 p.m. in the choir room.

THURSDAYS: Rotary Club meeting in the fellowship hall at 12:30 p.m.; **Scout Night** begins at 7:00 p.m. in the fellowship hall, education building and scout room

SATURDAYS: Men's Prayer Breakfast in the Cordie Page at 7:30 a.m.(on break until Sept. 10)

AUGUST BIRTHDAYS & ANNIVERSARIES

- | | |
|---------------------------------------------------------------------------------------------------------|---------------------------------------------------------------------------------------------------------------|
| 1 Heather Vaught
Pat & Janet Howle | 23 George Hubbard
Fay Holt
Robert Harper |
| 2 Grace Fortson
Greg Suggs
Victoria Arel | 24 Trina Lewis
Tona Holbert
Brice Strickland |
| 4 Eddie Dix
Dick Miller
Molly Naish | 25 Randy & Lib Pearce
26 Darry Watts
Jean Marie Fortson
Chuck & Janet Mayers
Gray & Linda Stroger |
| 5 Pat Henry
7 Stan & Mary Cross
8 Wayne & Karen Nobles
9 Emma Lou Johnson
Michelle Brovelli | 27 Alta Fox
Jordyn Davis
Mike & Anne Prosser |
| 10 Larry Lewis
David Evans
Hank Eddy
Andy & Lisa Davis
Christopher Poirel | 28 Lorrie Moreau
Carol Baker
Alan & Ellen Nagy
Ray Binis & Paula Youngs |
| 11 Lillian Prohaska
Tony & Lisa Owens
Al Carter | 29 Carolyn Causey
Marti Hubbard
Ailey Covington
Joe & Lana Hudson |
| 12 Bailey Spivey
13 Stephanie Fleming
14 Lance Bedwell
Chris Kinon | 30 Burt & Dottie Brown
31 Tamara Tindal
Robin Jordan
John & Gwen Winn
James Carroll |
| 15 Anderson Davis
16 James Vaught
Hayes McMillen
Guy Dozier | |
| 17 Donna Allen
Cynthia Gantt
Aubrey Heinz | |
| 18 David Hill
Ryan Covington
Davis & Libbey Inabnit
Ashley Hucks | |
| 19 Anne Stewart
Meghan Cornelison | |
| 20 Richard & Nancy
Anderson | |
| 21 Carla Booth | |
| 22 Meredith Hyman
Mary-Carson Helms
Emma Stevens | |



*Be loyal to your church.
Uphold it by your prayers,
your presence, your gifts,
and your service.*

*Please contact those listed on
their special day to let them
know you care!*

August Sunday School Opportunities

Sunday School 10:00-10:45



Children and Youth Classes

August's B.I.G. Theme: *We Can Help Others*

August's B.I.G. Idea: *We believe that God wants us to help others.*

August's Bible Verse: *Children, you show love for others by truly helping them, and not merely by talking about it.* 1 John 3:18,CEV

Adult Classes

Class-ICS Class: Singles/Couples, Conference Room—Contact person-Bob Lexa (347-0540)

- Studying the Old Testament—Discussion led by Bob Lexa

Faith Class: Singles/Couples, Education Building-second floor—Contact person-Beth Suggs (365-1618)

- Continuing a study on the Gospel of Matthew by Max Lucado
- Discussion led by Clay & Sarah Branyon, Jeff Davis, Kelly Covington

JOY Class: Singles/Couples, Chapel/Media Room—Contact person-Bill Parker (488-0128).

- Continuing to study Charles Stanley's 30 Life Principles
- Discussion led by class members

Ladies Fellowship Class: Ladies, Chapel—Contact person-Emma Lou Johnson (248-2689)

- Discussion leaders: Marilyn Holcombe, Annie Lou Spivey, Ann Long, Jane Ramseur, Barbara Thompson
- Discussing "A Case Study in Community" from the summer quarter of the Adult Bible Series.

Ladies Seekers Class: Ladies, Education Building-second floor—Contact person-Cynthia Evans (236-4420)

- Discussing a new Max Lucado book, Out Live Your Life—You Were Made to Make a Difference
- Discussion led by class members

• Meets with the Ladies Fellowship Class the 1st Sunday of each month

Men's Fellowship Class: Men, Chapel—Contact person-Andy Davis (365-5058)

- Discussion leaders: Jimmy Johnson, Jerry Sanders, & Omar Ortiz
- Discussing "A Case Study in Community" from the summer quarter of the Adult Bible Series.

Y'ALL Class: Singles/Couples-age 18-30ish, Education Building-second floor—Contact person-Andy Altman (340-4721)

- Discussing Life Lessons by Max Lucado
- Discussion led by class members

Master's Class: Singles, Couples, Education Building-second floor— Contact person-Anna Johnson

- Discussing lessons from the Standard Lesson Commentary



TRINITY UNITED METHODIST CHURCH

198 Long Avenue, Conway, SC 29526-3152
843-248-2194 phone, 843-248-4445 fax
www.trinityconway.com

Change Service Requested

U.S. POSTAGE
PAID
CONWAY, SC
PERMIT NO. 136
NON-PROFIT
ORGANIZATION

REV. DR. SANDRA STEVENS POIREL, Pastor
843-248-2343- parsonage, 843-995-0623- cell
agapah@aol.com

REV. SARAH BRANYON, Children & Youth Minister
843-222-4835 or swbranch@hotmail.com

ANDREW FOWLER, Director of Music
843-457-9686 or andyfowler@sc.rr.com

CAROLYN CAUSEY, Business Administrator
843-907-0030 or ccausey@trinityconway.com

GEORGE HUBBARD, Maintenance Supervisor
843-248-8318

JOHN BROWN, Custodian

**Deadline for Good Word information is the 15th of
each month. E-mail: goodword@trinityconway.com**